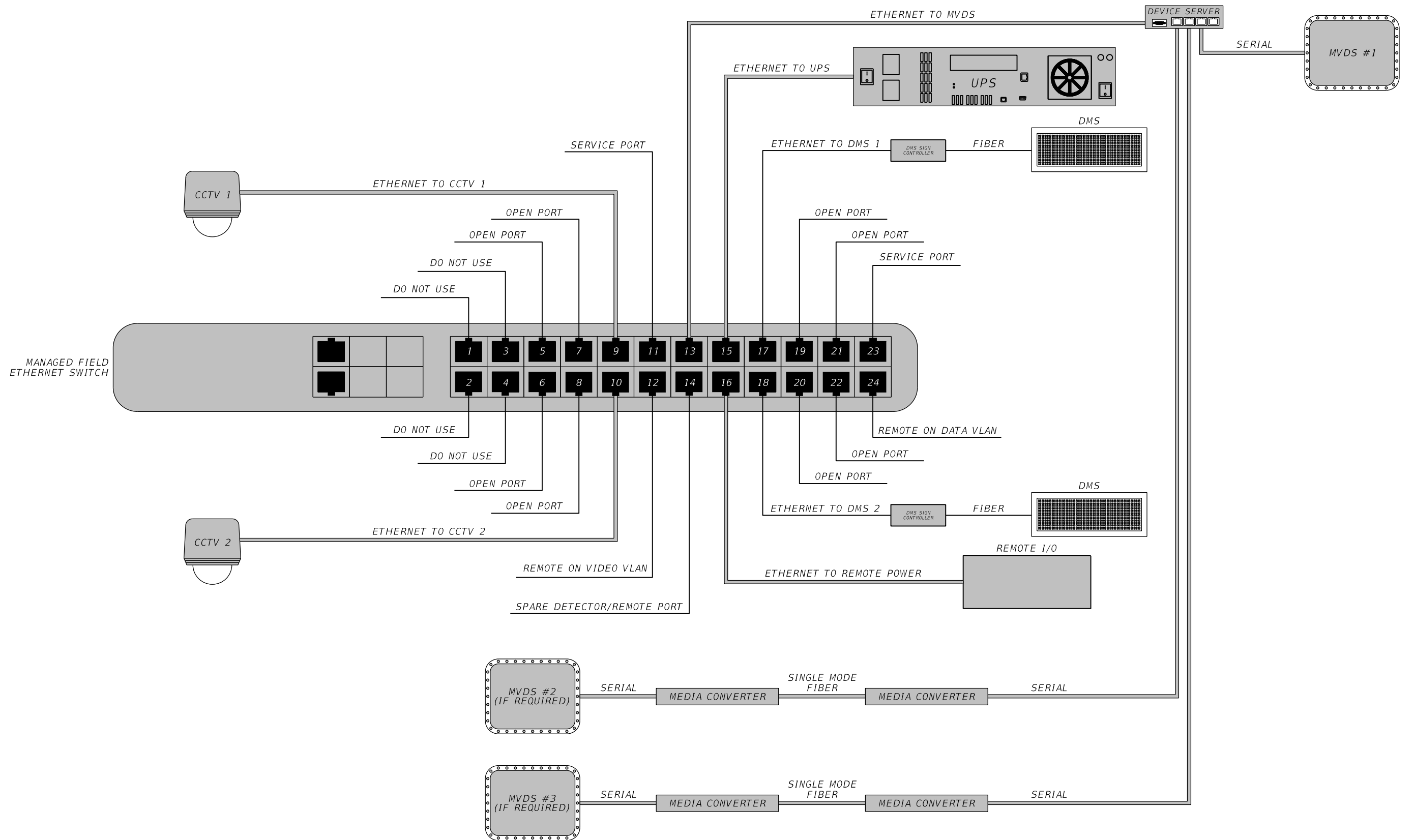
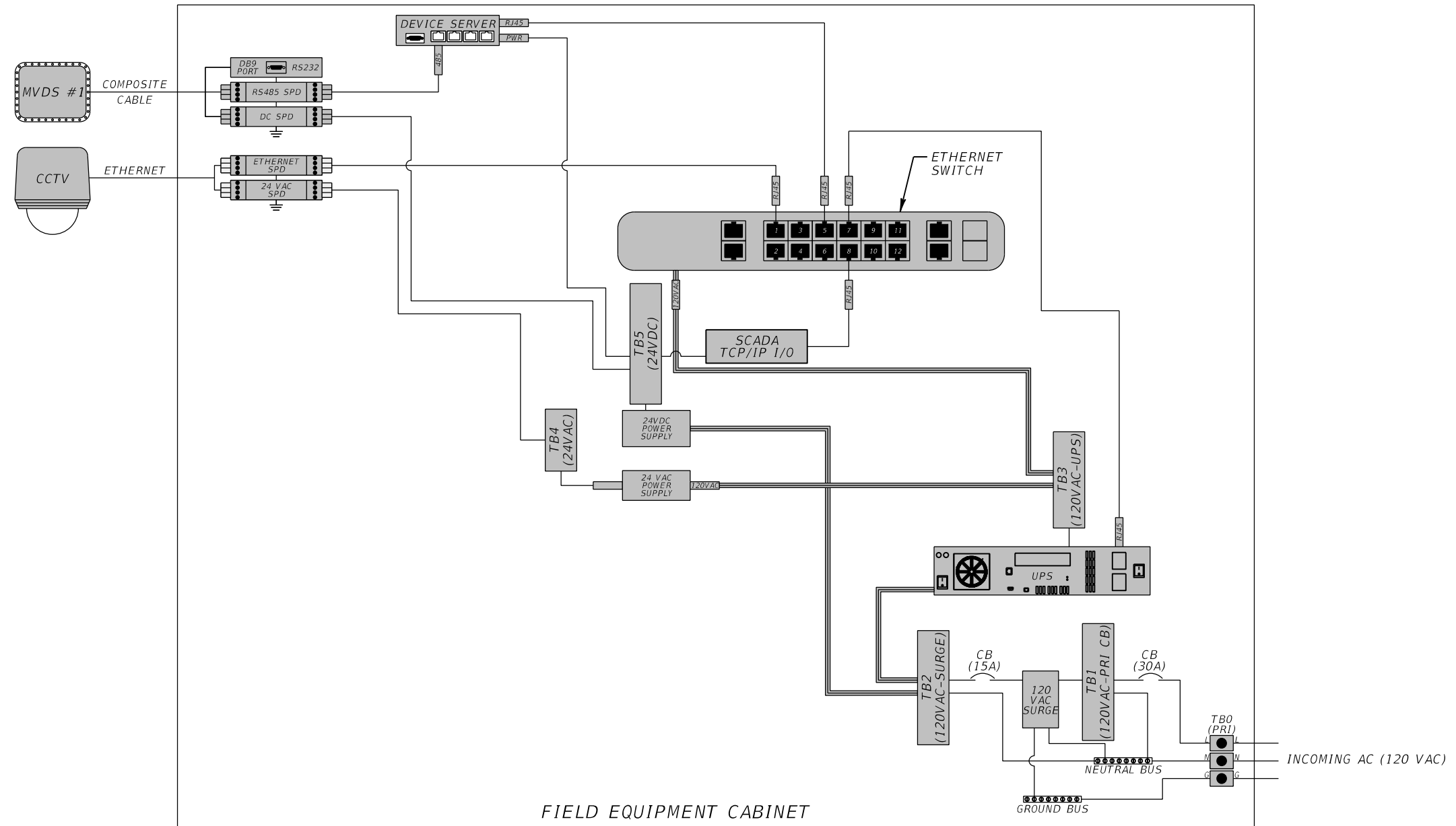


REVISIONS				STATE OF FLORIDA DEPARTMENT OF TRANSPORTATION			MANAGED 12-PORT FIELD ETHERNET SWITCH DETAIL	SHEET NO.
DATE	DESCRIPTION	DATE	DESCRIPTION	ROAD NO.	COUNTY	FINANCIAL PROJECT ID		
						245316-1-72-16		



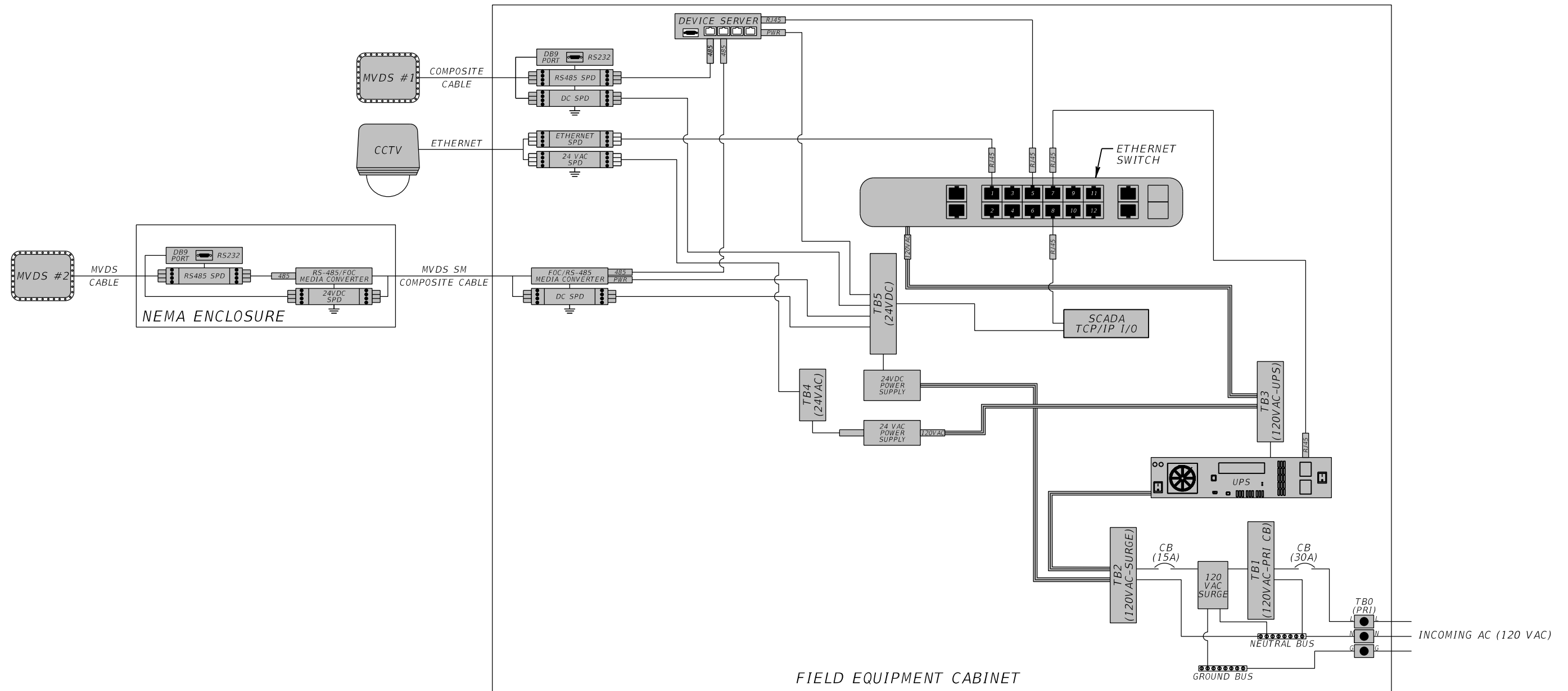
REVISIONS				STATE OF FLORIDA DEPARTMENT OF TRANSPORTATION			MANAGED 24-PORT FIELD ETHERNET SWITCH DETAIL	SHEET NO.
DATE	DESCRIPTION	DATE	DESCRIPTION	ROAD NO.	COUNTY	FINANCIAL PROJECT ID		
						245316-1-72-16		

LHUB XX-XXX.X



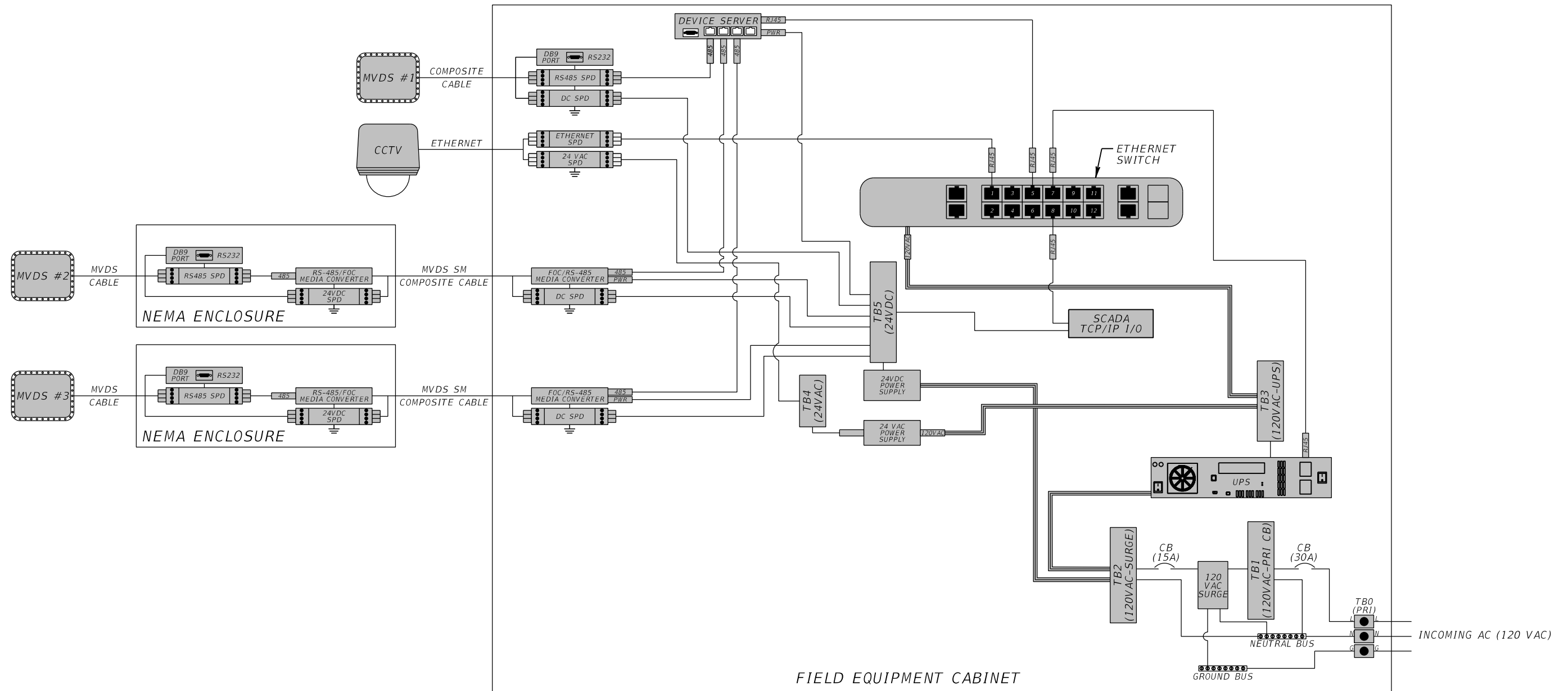
REVISIONS				STATE OF FLORIDA DEPARTMENT OF TRANSPORTATION			WIRING DIAGRAMS	SHEET NO.
DATE	DESCRIPTION	DATE	DESCRIPTION	ROAD NO.	COUNTY	FINANCIAL PROJECT ID		
						245316-1-72-16		

LHUB XX-XXX.X



REVISIONS				STATE OF FLORIDA DEPARTMENT OF TRANSPORTATION			WIRING DIAGRAMS	SHEET NO.
DATE	DESCRIPTION	DATE	DESCRIPTION	ROAD NO.	COUNTY	FINANCIAL PROJECT ID		
						245316-1-72-16		

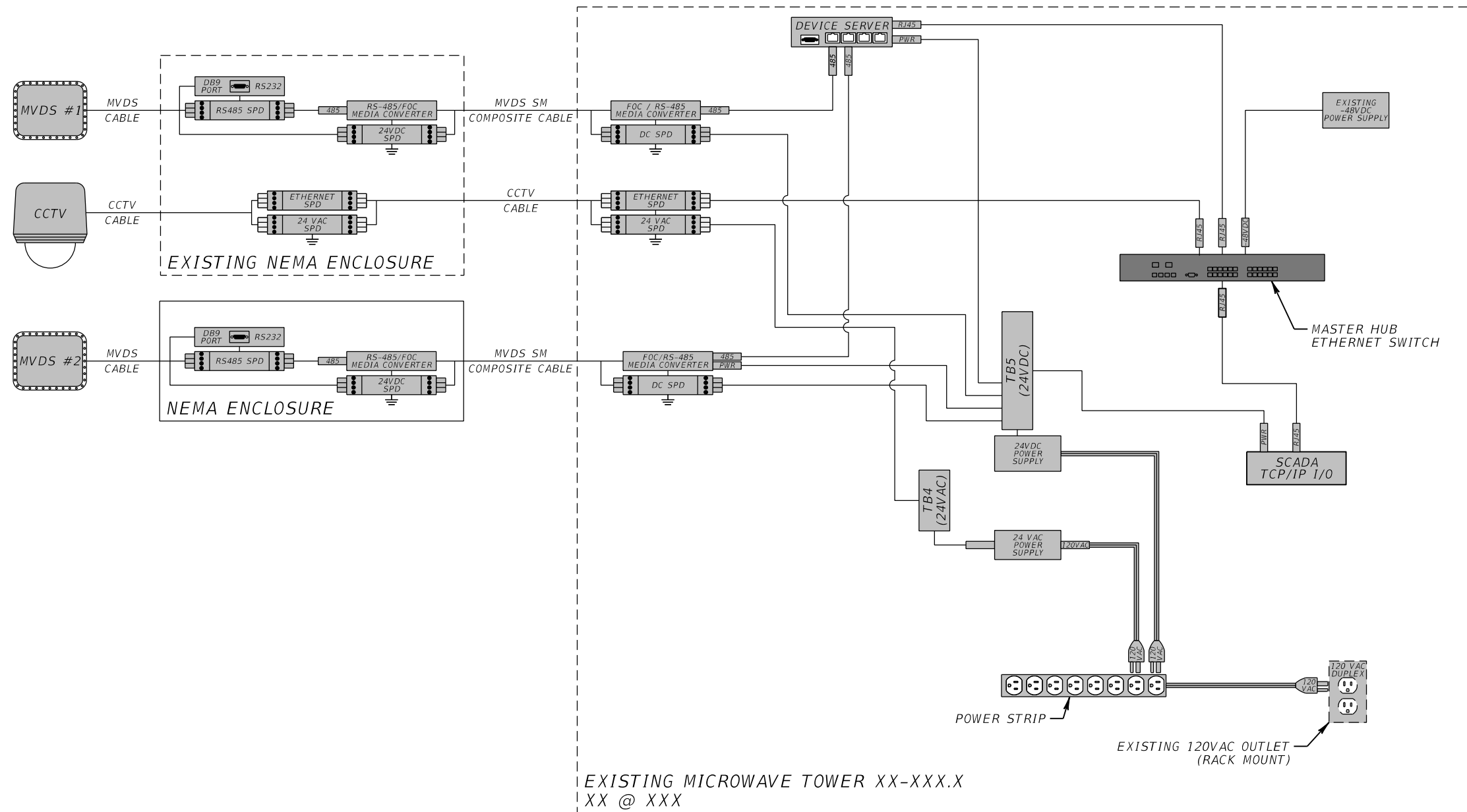
LHUB XX-XXX.X



REVISIONS				STATE OF FLORIDA DEPARTMENT OF TRANSPORTATION			WIRING DIAGRAMS	SHEET NO.
DATE	DESCRIPTION	DATE	DESCRIPTION	ROAD NO.	COUNTY	FINANCIAL PROJECT ID		
						245316-1-72-16		

jperrez 8/24/2016 11:33:06 AM R:\PROJECT\D5 PM Services - 4.2280.02\D5 Design Standards\mwdt02.dgn

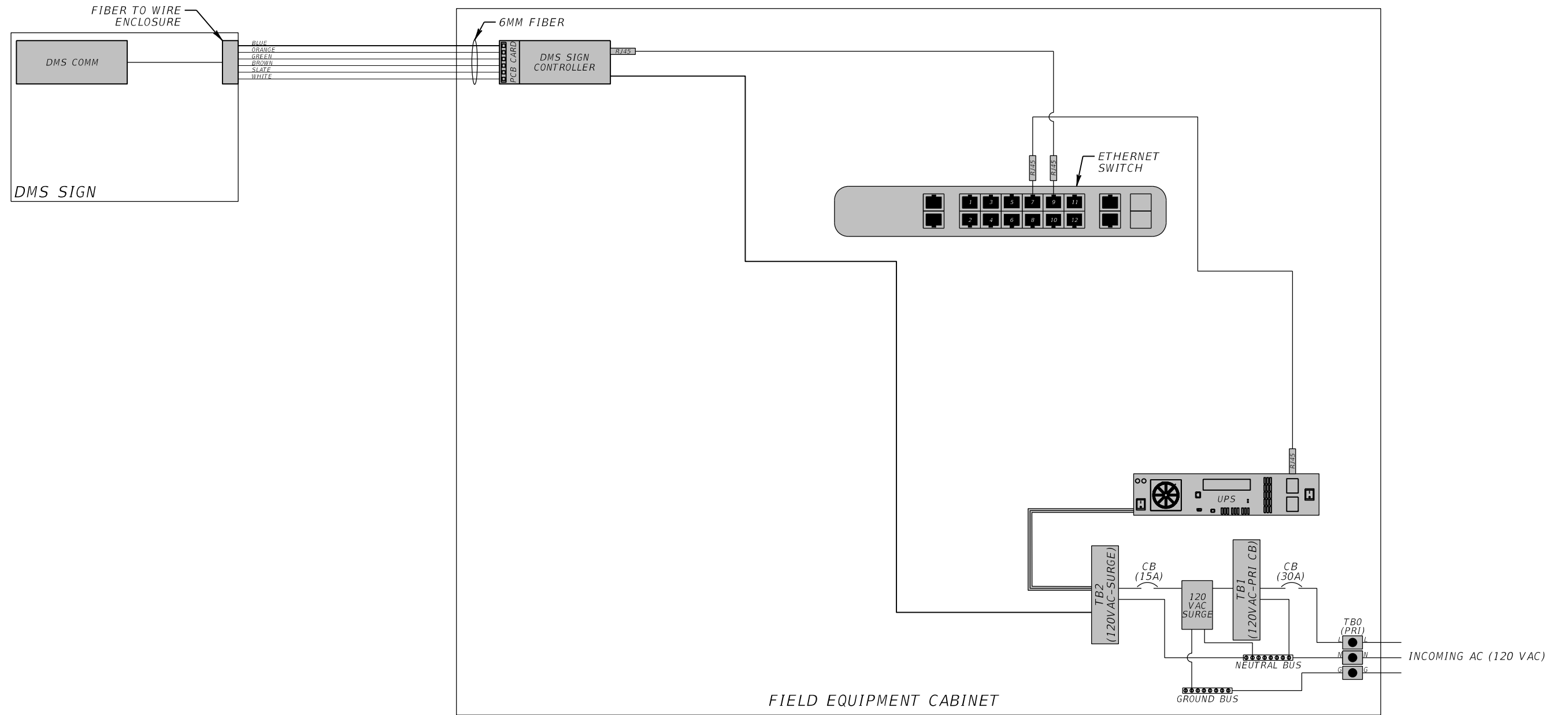
EXISTING MICROWAVE TOWER



EXISTING MICROWAVE TOWER XX-XXX.X
XX @ XXX

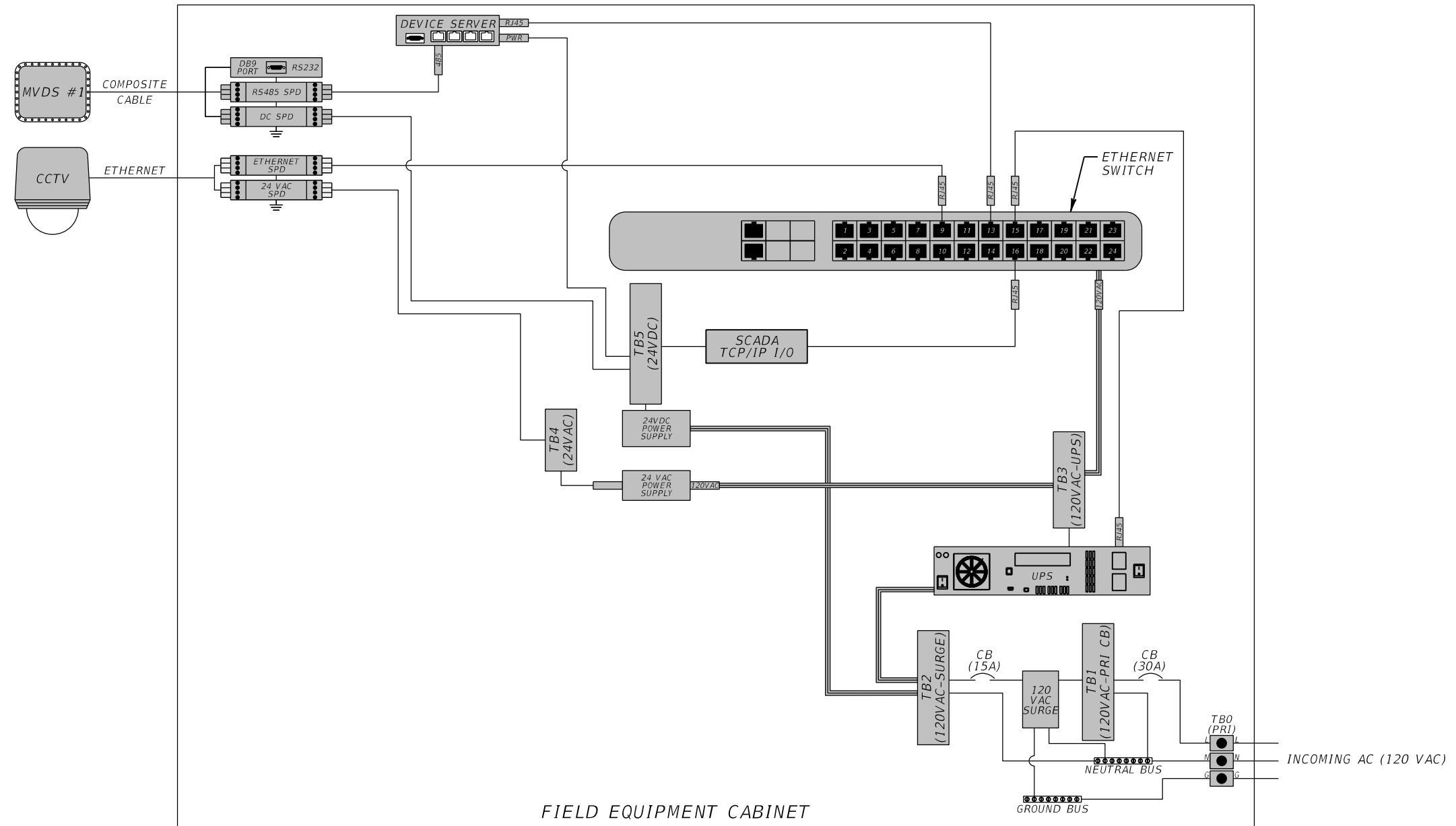
REVISIONS				STATE OF FLORIDA DEPARTMENT OF TRANSPORTATION	WIRING DIAGRAMS	SHEET NO.
DATE	DESCRIPTION	DATE	DESCRIPTION			
						245316-1-72-16

LHUB XX-XXX.X



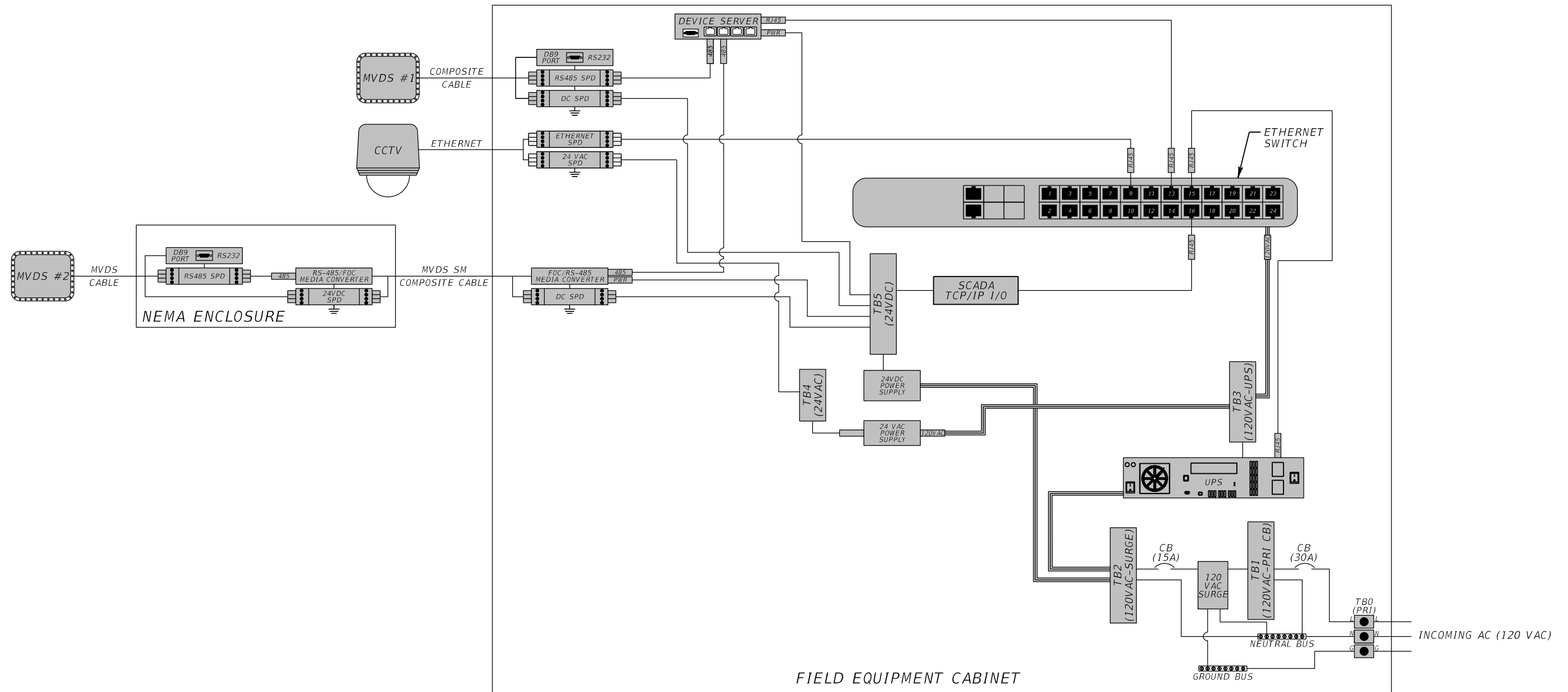
REVISIONS				STATE OF FLORIDA DEPARTMENT OF TRANSPORTATION			WIRING DIAGRAMS	SHEET NO.
DATE	DESCRIPTION	DATE	DESCRIPTION	ROAD NO.	COUNTY	FINANCIAL PROJECT ID		
						245316-1-72-16		

LHUB XX-XXX.X



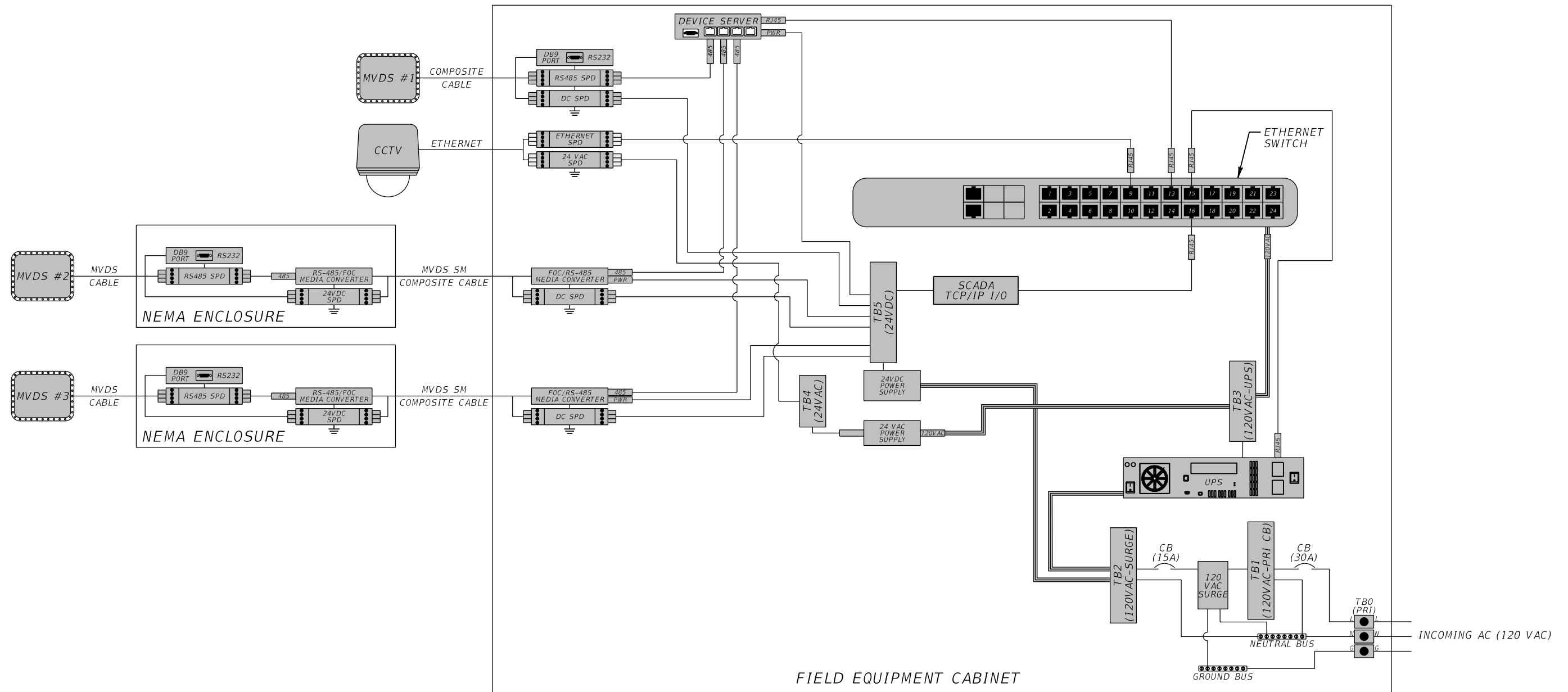
REVISIONS				STATE OF FLORIDA DEPARTMENT OF TRANSPORTATION			WIRING DIAGRAMS	SHEET NO.
DATE	DESCRIPTION	DATE	DESCRIPTION	ROAD NO.	COUNTY	FINANCIAL PROJECT ID		
						245316-1-72-16		

LHUB XX-XXX.X



REVISIONS				STATE OF FLORIDA DEPARTMENT OF TRANSPORTATION			WIRING DIAGRAMS	SHEET NO.
DATE	DESCRIPTION	DATE	DESCRIPTION	ROAD NO.	COUNTY	FINANCIAL PROJECT ID		
						245316-1-72-16		

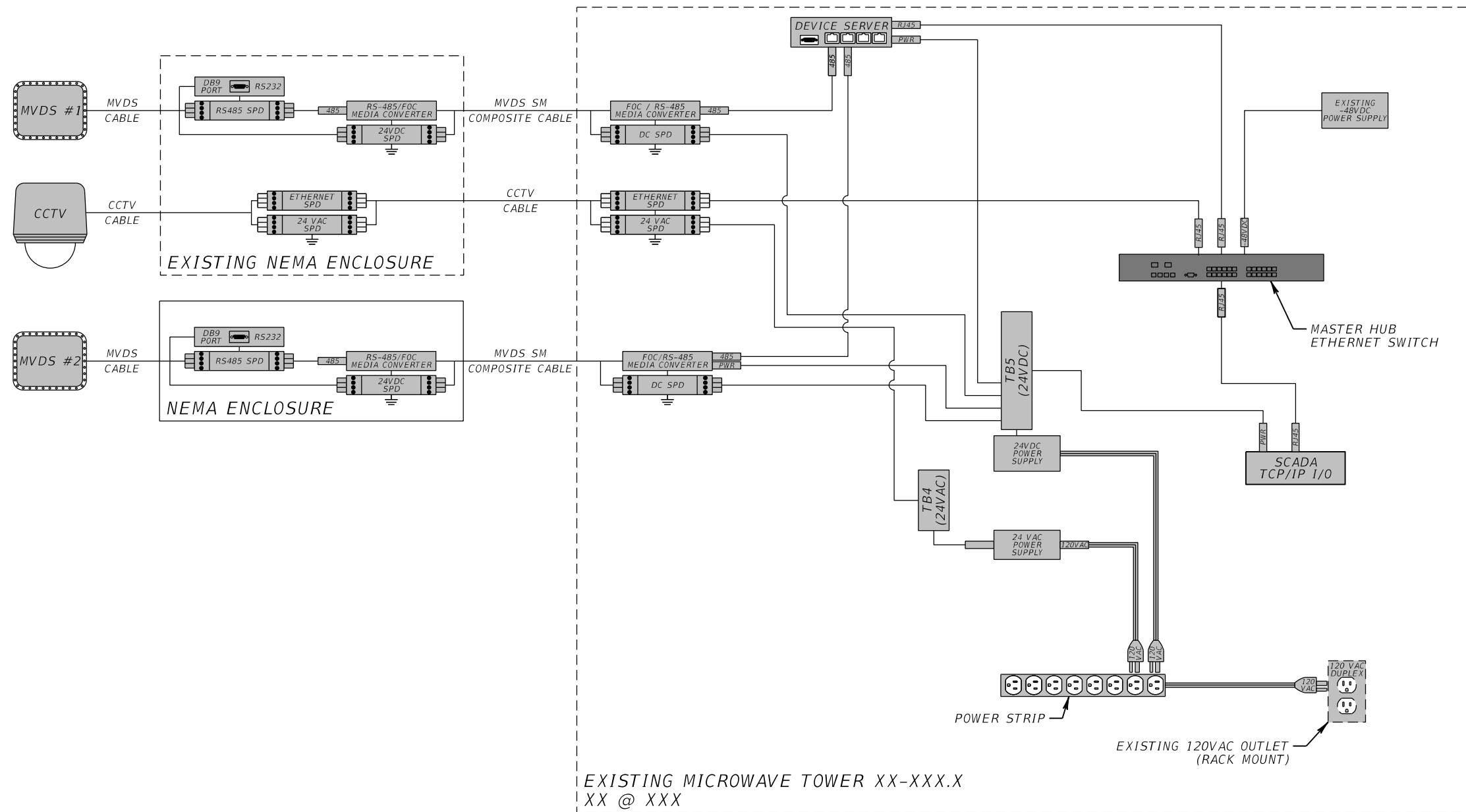
LHUB XX-XXX.X



REVISIONS				STATE OF FLORIDA DEPARTMENT OF TRANSPORTATION			WIRING DIAGRAMS	SHEET NO.
DATE	DESCRIPTION	DATE	DESCRIPTION	ROAD NO.	COUNTY	FINANCIAL PROJECT ID		
						245316-1-72-16		

jperrez 8/24/2016 11:33:10 AM R:\PROJECT\D5 PM Services - 4.2280.02\D5 Design Standards\mwdtit02.dgn

LHUB XX-XXX.X



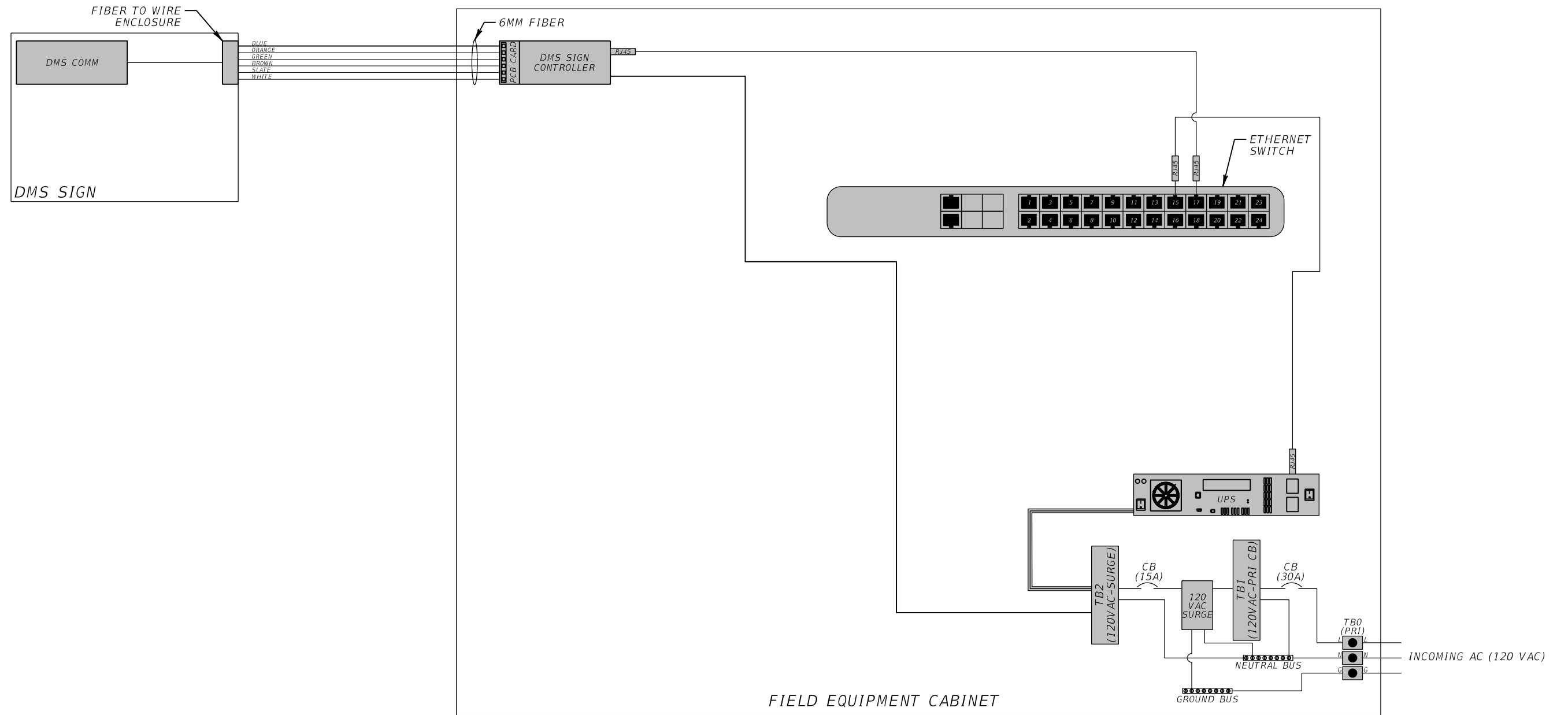
EXISTING MICROWAVE TOWER XX-XXX.X
XX @ XXX

REVISIONS				STATE OF FLORIDA DEPARTMENT OF TRANSPORTATION			SHEET NO.
DATE	DESCRIPTION	DATE	DESCRIPTION	ROAD NO.	COUNTY	FINANCIAL PROJECT ID	
						245316-1-72-16	

WIRING DIAGRAMS

jperrez 8/24/2016 11:33:11 AM R:\PROJECT\D5 PM Services - 4.2280.02\D5 Design Standards\mwdtit02.dgn

LHUB XX-XXX.X



REVISIONS				STATE OF FLORIDA DEPARTMENT OF TRANSPORTATION			WIRING DIAGRAMS	SHEET NO.
DATE	DESCRIPTION	DATE	DESCRIPTION	ROAD NO.	COUNTY	FINANCIAL PROJECT ID		
						245316-1-72-16		